

# Thrust Ball Bearings

Bearing No. : **NACHI 53216**

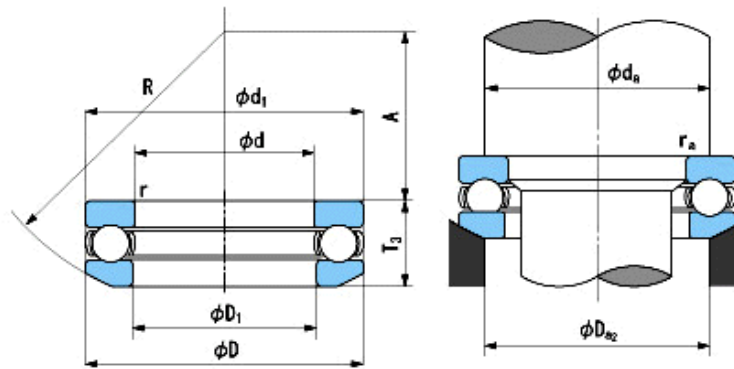
■ Bearing Type

■ Clearance

■ Tolerance Class

### Dimensions

d = 80                    0  
                              -0.015  
  
D = 115                    0  
                              -0.022  
  
T3 = 29.5  
r = 1~2.2  
(Radial Direction and Axial Direction)  
D1(min) = 82  
d1(max) = 115  
R = 90  
A = 46



Dimensions  
da(min) = 101  
Da2(max) = 94  
ra(max) = 1  
Mass = 0.93 kg

Basic Dynamic Load Rating Ca :	<b>78,500</b> N	INNER RING	OUTER RING
Basic Static Load Rating Coa :	<b>219,000</b> N	O.D.Surface Runout with Side :	-
Limiting Speed ;		Axial Runout with Bore :	-
Grease Lubrication :	<b>1,700</b> min <sup>-1</sup>	Axial Runout with Raceway :	-
Oil Lubrication :	<b>2,600</b> min <sup>-1</sup>	Width Variation :	-
		Radial Runout :	-